

PICK & MIX DISPLAY FIXTURES

MAY 2022



SCANFOOD
ASIA



PNM2

PNM2



PMN2

Features

- Wide range of Display units in 900 and 1200 mm width
- Boot-bin with exchangeable colored side panels
- Photo front on bins
- Two heights – Standard and low
- Three different models and heights of top signs

SCANFOOD
ASIA



PNM2

Features

1. Scoop & bag holders and accessories
 2. Sugar tray under bin
 3. Self-closing consumer lid (Soft-close)
 3. Different colored side panels
 4. Refill lid is locked in open position
 5. Debris collector at bottom – with storage drawer
- Two bin models: Full and Split with divider. W: 220 mm
 - Food contact approved
 - Bin volume approx. 17 litres



PNM2 900

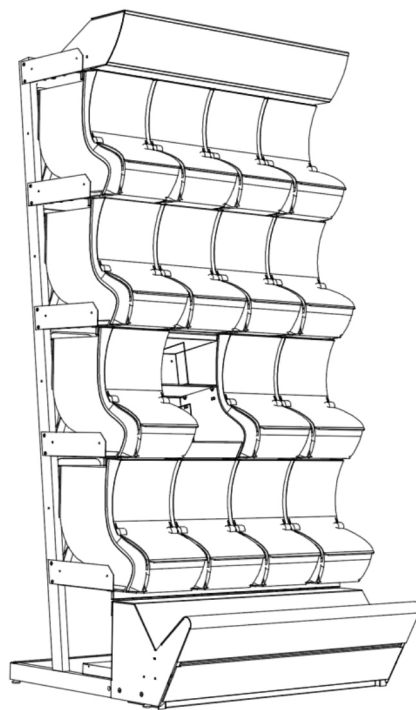
Standard Height - 4 rows

Available with:

Full Bin (15 flavours)

Split Bin (30 flavours)

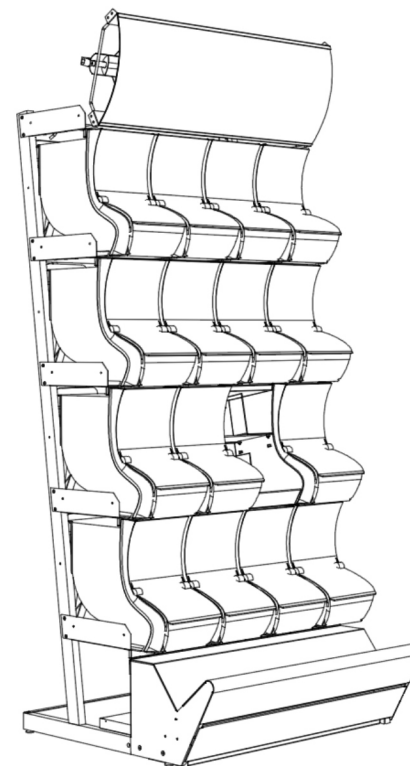
Combined Full/Split (22 flavours)



900 + 170 Top sign

Height: 1970mm

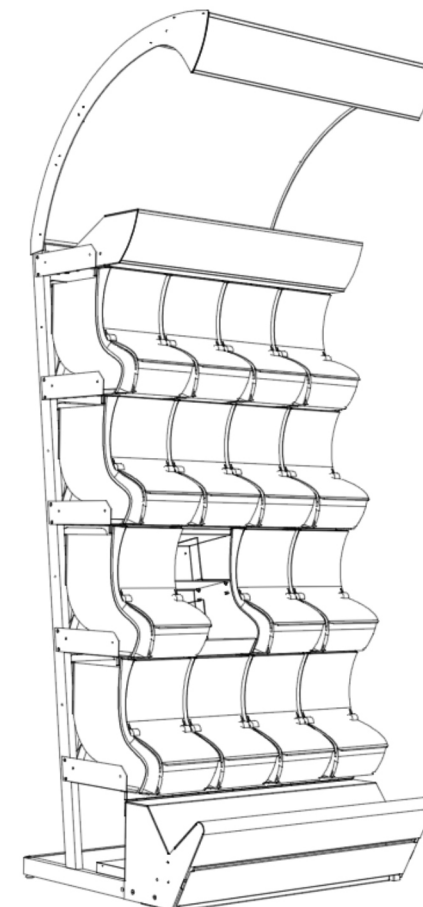
Depth: 856mm or 806mm)



900 + 340 Top sign

Height: 2155mm

Depth: 856mm or 806mm



900 + 170/High Top sign

Height: 2500mm

Depth: 856mm or 806mm

Collector can be mounted in two positions (total unit depth 856 or 806mm). Recommended is to mount collector in outer position for better collecting ability. To match depth of Corner Unit the collector must be mounted in outer position.

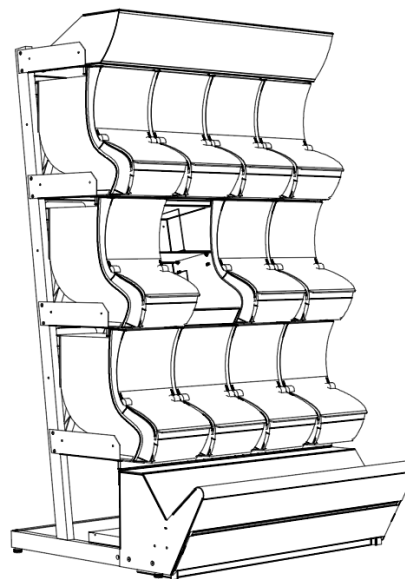
PNM2 900 LOW

Low Height - 3 Rows

Available with:

Full Bin (11 flavours)

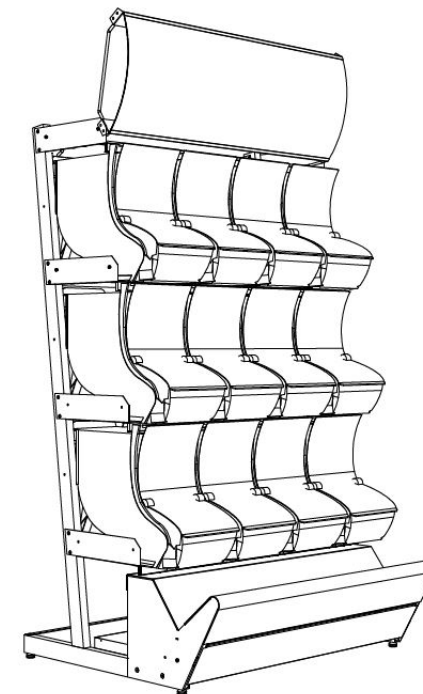
Split Bin (22 flavours)



900 + 170 Top sign

Height: 1600mm

Depth: 856mm or 806mm



900 + 340 Top sign

Height: 1785mm

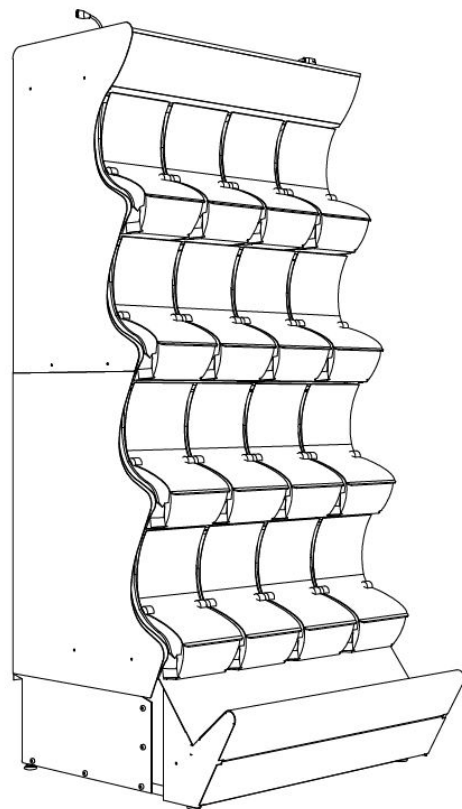
Depth: 856mm or 806mm

Collector can be mounted in two positions (total unit depth 856 or 806mm). Recommended is to mount collector in outer position for better collecting ability. To match depth of Corner Unit the collector must be mounted in outer position.

PNM2 900 NARROW BODY

Narrow Body – base rack fits in existing shopfitting.

Available with:
Full Bin (15 flavours)

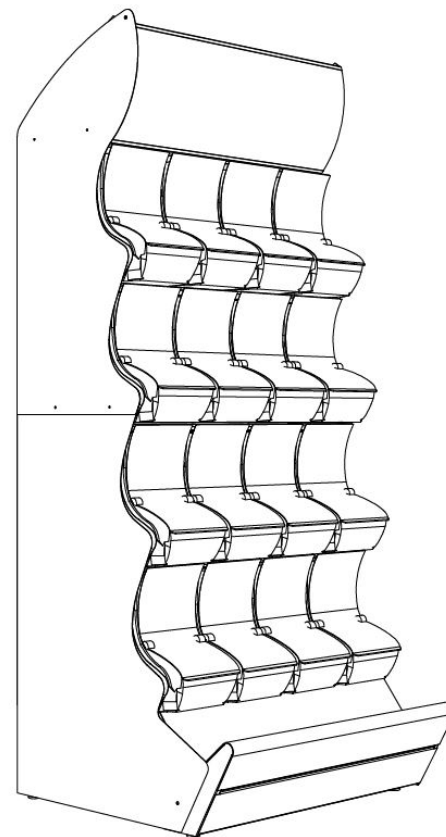


900 Narrow Body

+ 170 Top sign

Height: 2000mm

Depth: 878mm

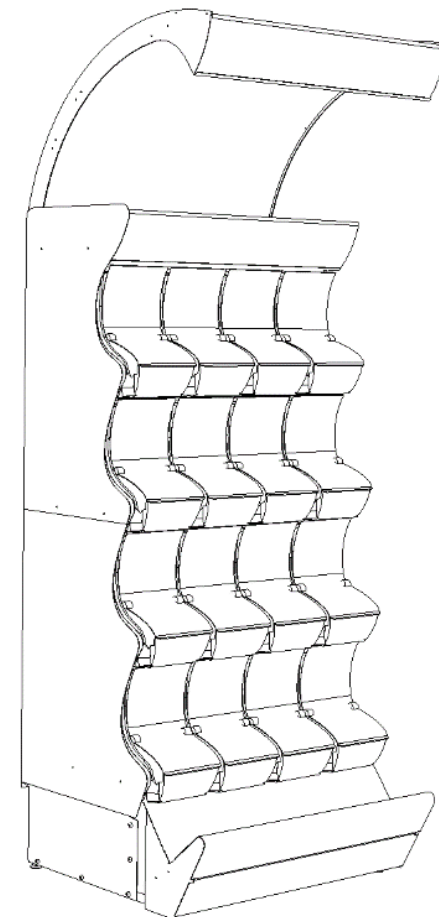


900 Narrow Body

+ 340 Top sign

Height: 2190mm

Depth: 878mm



900 Narrow Body

+ 170/High Top sign

Height: 2520mm

Depth: 878mm

PNM2 1200

Standard Height - 4 rows

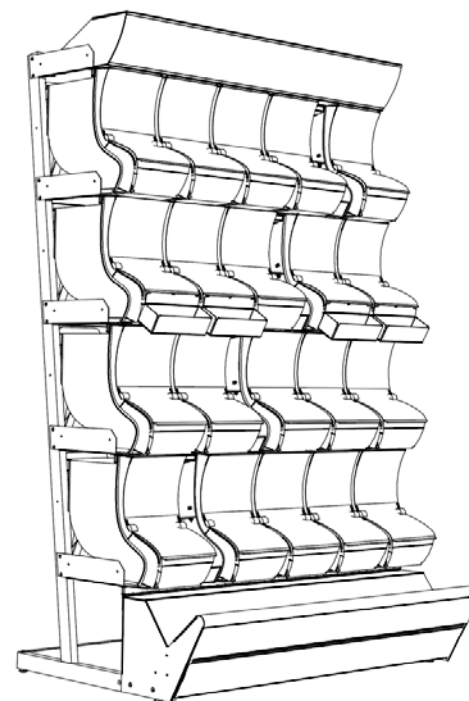
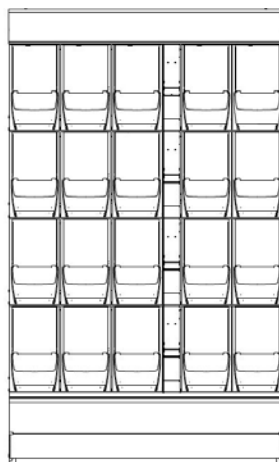
1200 Unit comes with integrated dividers for bags, one divider on each shelf.

Available with:

Full Bin (20 flavours)

Split Bin (40 flavours)

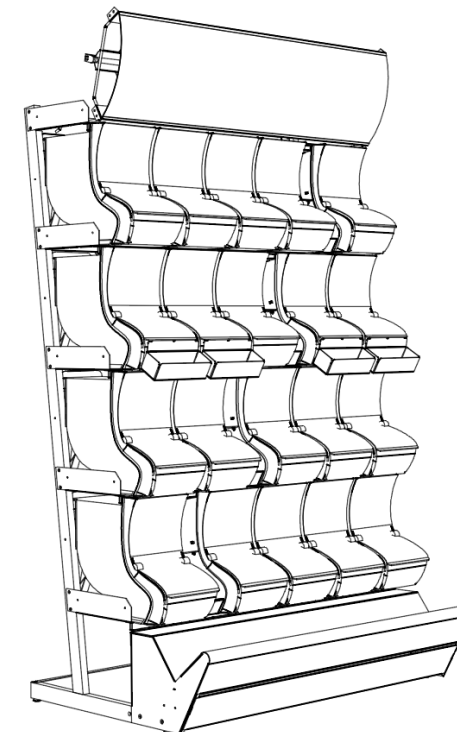
Combined Full/Split (36 flavours)



1200 + 170 Top sign

Height: 1964mm

Depth: 856mm or 806mm



1200 + 340 Top sign

Height: 2155mm

Depth: 856mm or 806mm

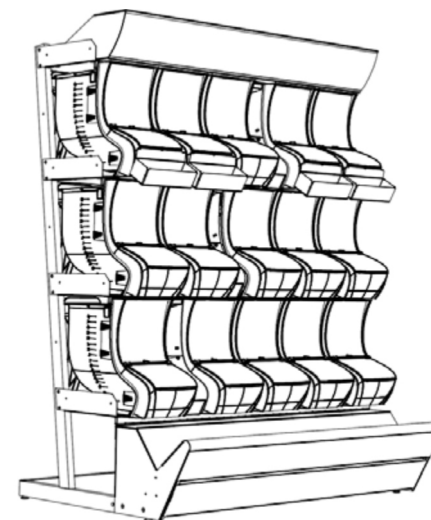
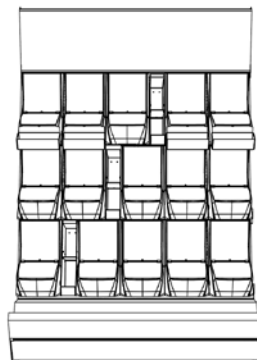
Collector can be mounted in two positions (total unit depth 856 or 806mm). Recommended is to mount collector in outer position for better collecting ability. To match depth of Corner Unit the collector must be mounted in outer position.

PNM2 1200 LOW

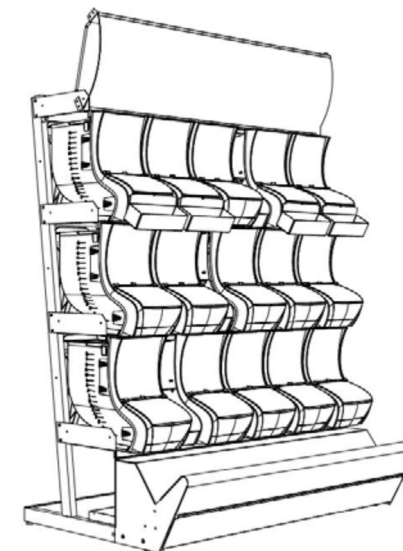
Low Height - 3 Rows

1200 Unit comes with integrated dividers for bags, one divider on each shelf.

Available with:
Full Bin (11 flavours)



1200 + 170 Top sign
Height: 1590mm
Depth: 856mm or 806mm



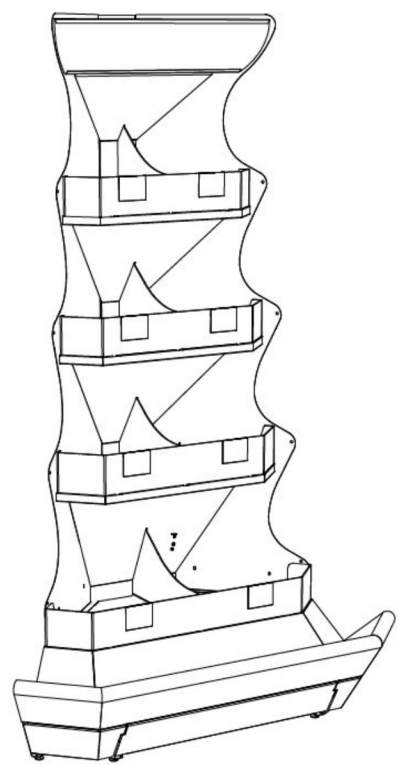
1200 + 340 Top sign
Height: 1790mm
Depth: 856mm or 806mm

Collector can be mounted in two positions (total unit depth 856 or 806mm). Recommended is to mount collector in outer position for better collecting ability. To match depth of Corner Unit the collector must be mounted in outer position.

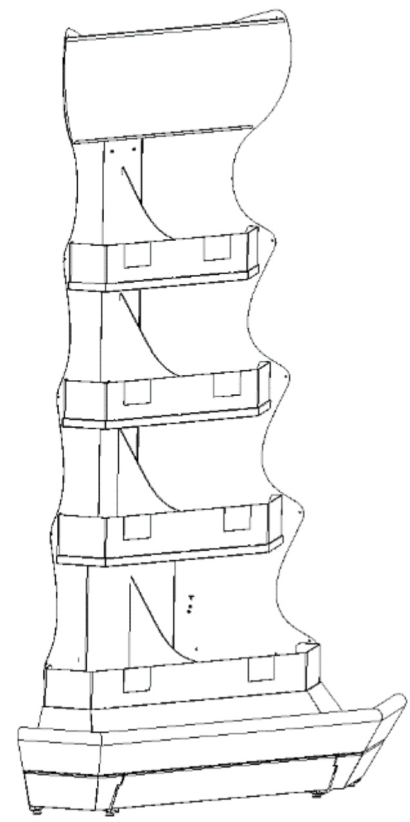
PNM2 CORNER UNIT

Corner Unit Fits With
900 & 1200 Width.

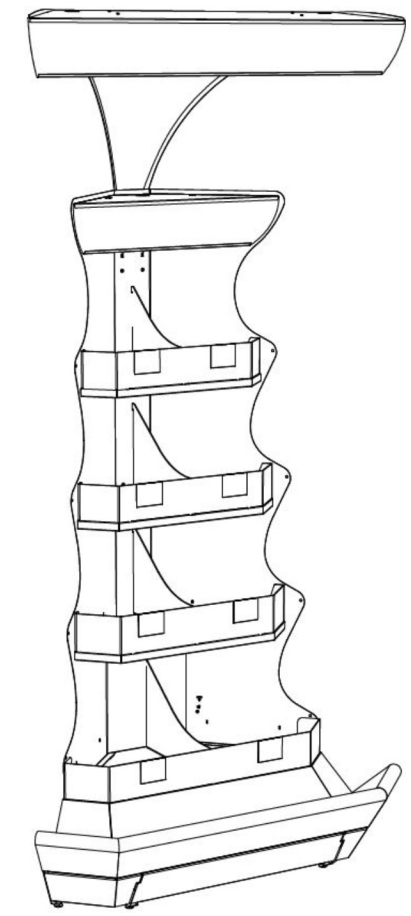
There are no bins in Corner
Unit, only dividers.



Corner + 170 Top Sign
Height: 1980mm
Depth: 874mm

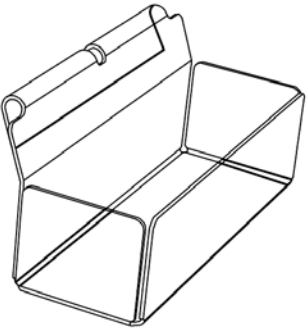


Corner + 340 Top Sign
Height: 2170mm
Depth: 874mm

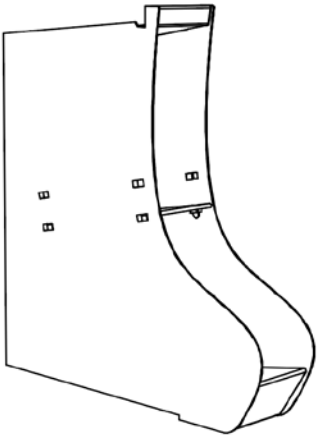


Corner + 170/High Top Sign
Height: 2500mm
Depth: 874mm

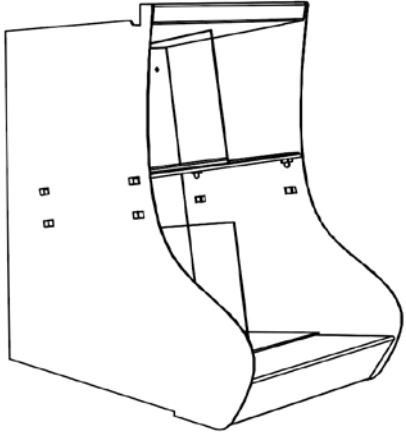
PNM2 ACCESSORIES



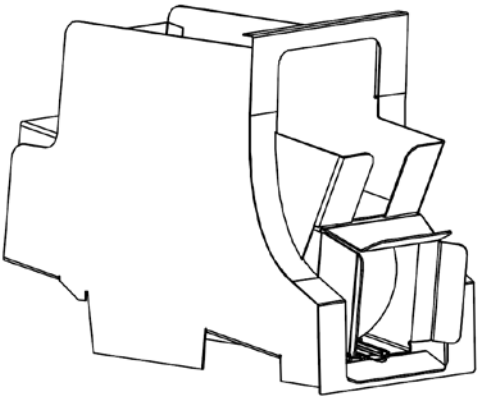
Scoop holder



Divider
for bags 1200



Divider
for bags 900



Cup holder

SCANFOOD

ASIA

Singapore

Scan-Food Pte.Ltd.
111 North Bridge Road
#04-03 Peninsula Plaza
Singapore 179098

Malaysia

Scan Food Sdn. Bhd.
Level 23, Premier Suites,
1 Mont Kiara No 1 Jalan
Kiara Mont Kiara
50480 Kuala Lumpur Malaysia

Thailand

ScanFood (Thailand) Limited
3656/49-52 Green Tower
16th Floor, Rama IV Rd,
Klongton, Klongtoei
Bangkok 10110

www.scanfoodasia.com
info@scanfoodasia.com